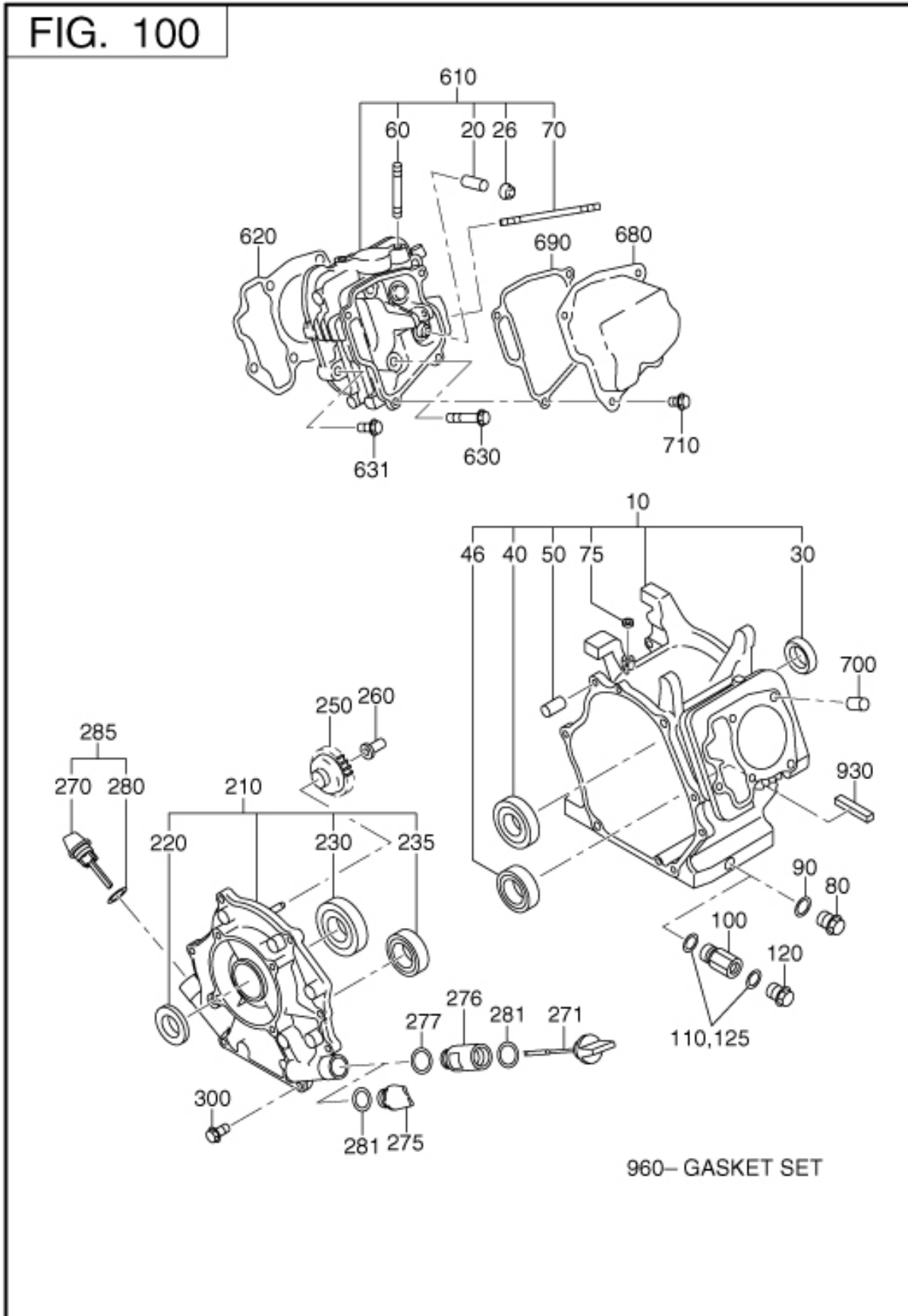


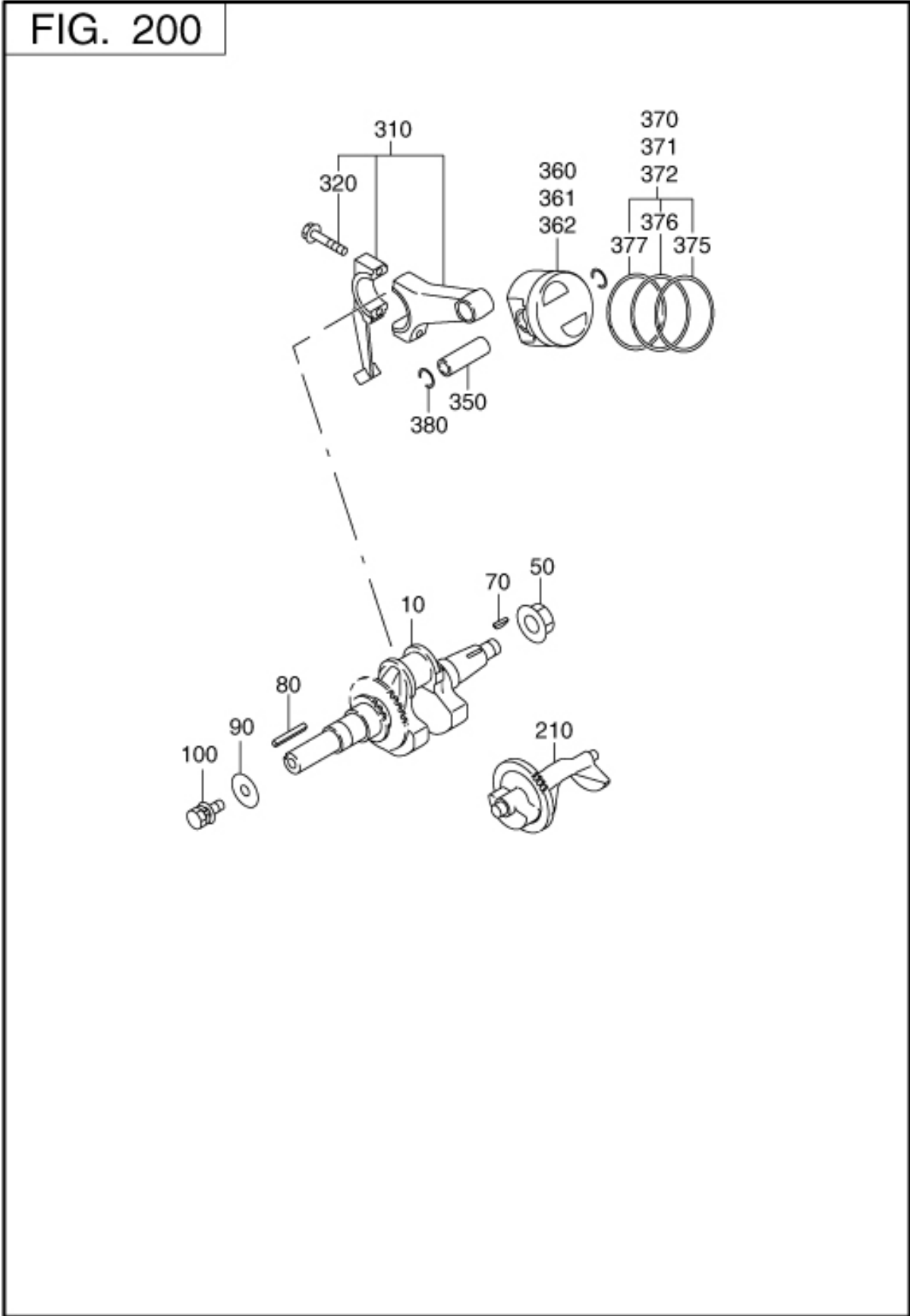
1 CRANK CASE



REF.	PART NUMBER	PART NAME	CODE NO.	QTY	REMARKS	INTERCHANGE
10	279-10105-11	CRANK CASE CP	10374-	1		
	279-10105-01	CRANK CASE CP	-10373	1		279-10101-91
20	237-14202-03	VALVE GUIDE	-	2	5. 5DX9. 5DX27L	
26	277-16010-01	STEM SEAL	-	1	5. 5DX9. 5DX15DX7. 8B	
30	044-03001-60	OIL SEAL	-	1	30DX45DX7B	
40	060-03003-70	BALL BEARING	-	1	30DX62DX16B	
50	277-15011-03	PIPE KNOCK	-	2	10. 3DX8. 5DX14L	
60	010-50802-50	STUD	-	2	M8X1. 25X25L	
70	010-50604-10	STUD	-	2	M6X1. 0X107L	
75	044-00600-20	OIL SEAL	-	1	5. 6DX10DX2. 5B	
80	040-11400-30	OIL DRAIN PLUG	-	2	M14X1. 5X20DX12L	
90	021-11400-20	GASKET 14	-	2	T=0.3	
210	279-11001-41	MAIN BEARING COVER C	-	1		
220	044-03001-60	OIL SEAL	-	1	30DX45DX7B	
230	060-03003-70	BALL BEARING	-	1	30DX62DX16B	
250	277-45004-K1	GOVERNOR GEAR CP	-	1	53DX29. 1T N=33	
260	277-41902-01	GOVERNOR SLEEVE	-	1	6DX7. 6DX16DX26L	
280	021-32000-50	GASKET	-	2	20DX27DX1. 5T RUBBER	
285	279-63601-30	OIL GAUGE AY	-	2		
300	001-04083-50	FLANGE BOLT	-	7	M8X1. 25X16DX35L	
610	279-13001-21	CYLINDER HEAD CP	-	1		
620	279-15001-33	GASKET (HEAD)	-	1	T=0.2	
630	011-00802-40	FLANGE BOLT	-	4	M8X1. 25X16DX68L	
631	011-00803-10	FLANGE BOLT	-	1	M8X1. 25X16DX33L	
680	277-15503-11	ROCKER COVER CP	10731-	1		
	277-15503-01	ROCKER COVER CP	-10730	1		277-15503-11
690	277-16001-23	GASKET(ROCKER COVER)	10988-	1	T=0.7	
	277-16001-13	GASKET(ROCKER COVER)	-10987	1	T=0.5	277-16001-23
700	277-15011-03	PIPE KNOCK	-	2	10. 3DX8. 5DX14L	

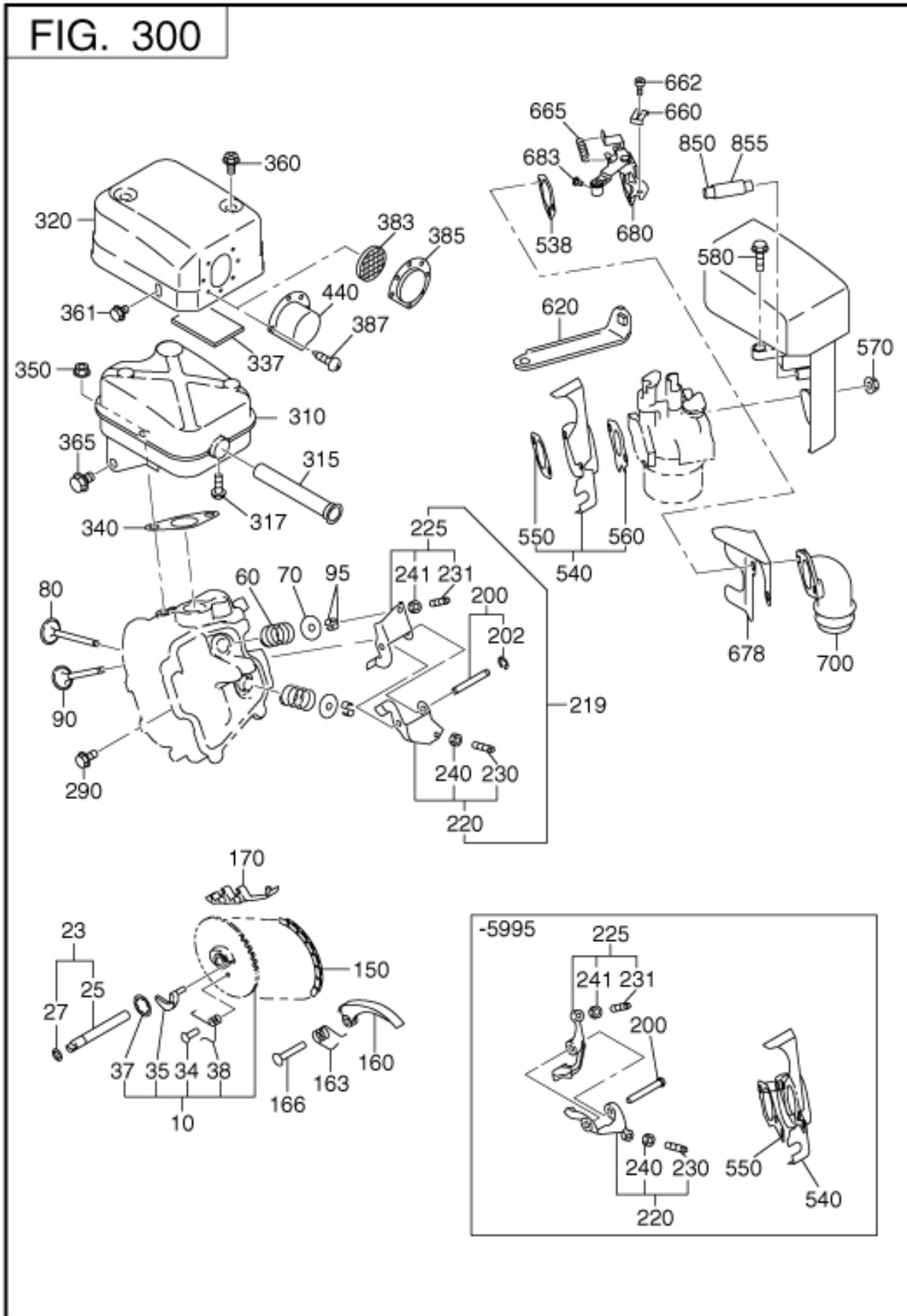
REF.	PART NUMBER	PART NAME	CODE NO.	QTY	REMARKS	INTERCHANGE
710	011-00600-20	FLANGE BOLT	-	4	M6X1.0X14DX12L	
960	279-99001-47	GASKET SET	-	1		

2 CRANKSHAFT,PISTON



REF.	PART NUMBER	PART NAME	CODE NO.	QTY	REMARKS	INTERCHANGE
10	279-20201-71	CRANK SHAFT CP	-	1	L=299 25DX60L	
50	018-01800-10	FLANGE NUT	-	1	M18X1. 5X31DX14H	
70	032-30300-10	WOODRUFF KEY	-	1	3BX6HX16D	
80	005-30073-51	KEY	-	1	7BX7HX35L	
90	020-00800-20	WASHER	-	1	8. 5DX35DX4. 5T	
100	011-00802-50	FLANGE BOLT	-	1	M8X1. 25X16DX25L	
310	279-22501-30	CONNECTING ROD AY	-	1	104. 5CDX26B 34. 5D-18	
320	279-23001-03	CONNECTING ROD BOLT	-	2	M7X1. 0X13. 8DX40L	
350	279-23301-13	PISTON PIN	-	1	18DX13DX53L	
360	279-23401-H3	PISTON	-	1	STD (75DX43H)	
361	279-23403-H3	PISTON	-	1	0. 25 0. S. (75DX43H)	
362	279-23404-H3	PISTON	-	1	0. 50 0. S. (75DX43H)	
370	279-23501-27	PISTON RING SET	-	1	STD	
371	279-23502-27	PISTON RING SET	-	1	0. 25 0. S.	
372	279-23503-27	PISTON RING SET	-	1	0. 50 0. S.	
380	056-51800-10	CLIP	-	2	18. 9DX1. 6D	

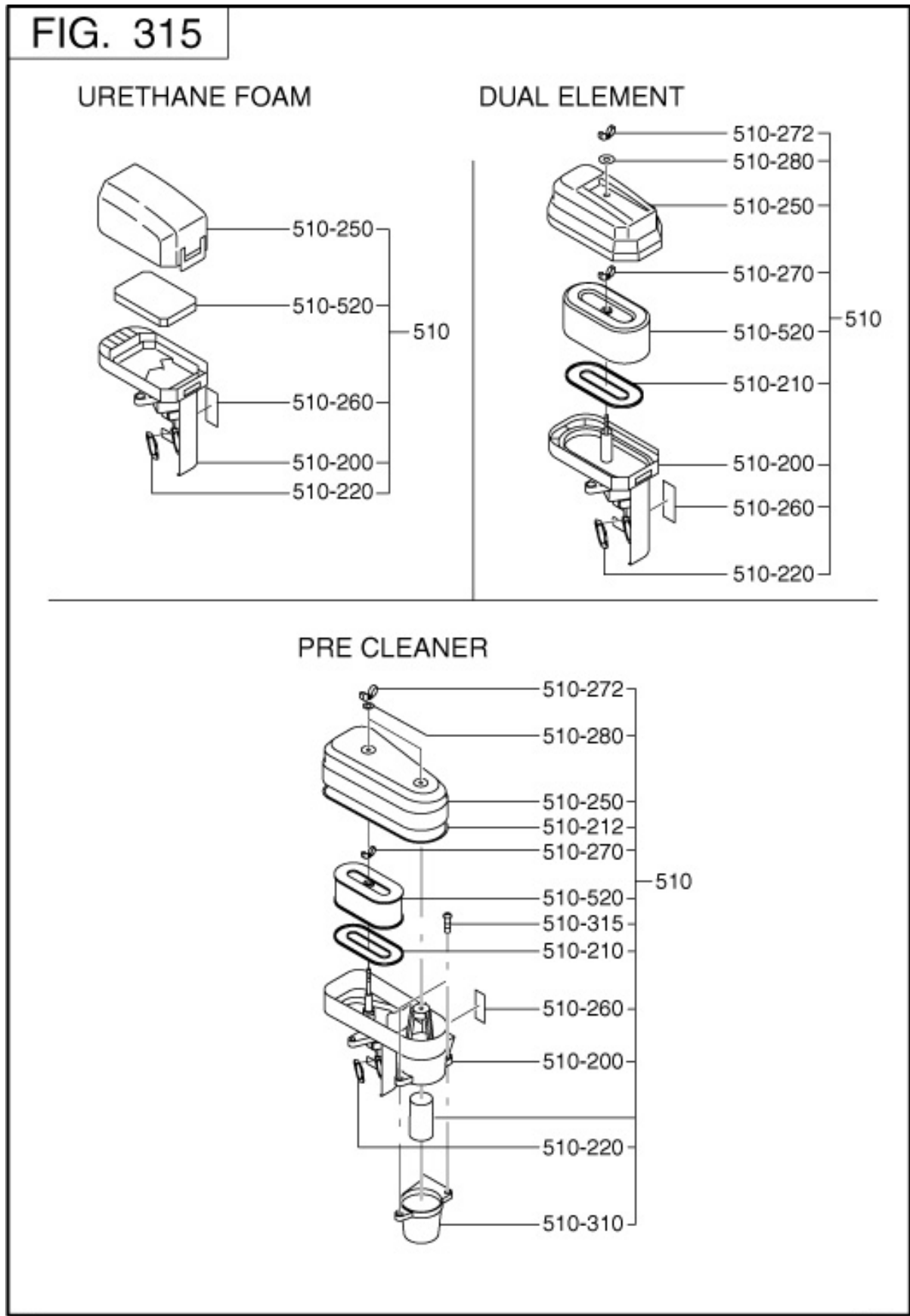
3 INTAKE,EXHAUST



REF.	PART NUMBER	PART NAME	CODE NO.	QTY	REMARKS	INTERCHANGE
10	279-31601-41	CAM SHAFT CP	10326-	1	93DX2. 9B N=44	
	279-31601-31	CAM SHAFT CP	-10325	1	93DX2. 9B N=44	279-31601-41
23	277-35101-01	PIN(CAM SHAFT) CP	-	1		
27	024-00600-30	O RING	-	1	5. 8DX9. 6D	
34	277-38601-03	PIN(SPRING)	-	1	4DX8DX9L	
35	279-36401-13	RELEASE LEVER	-	1		
37	277-36501-03	CLIP	-	1	13. 8DX20. 3DX0. 4T	
38	277-38703-33	RETURN SPRING	10326-	1	D=0. 55	
	277-38703-23	RETURN SPRING	-10325	1	D=0. 55	277-38703-33
60	279-33601-03	VALVE SPRING	-	2	19. 2DX2. 3DX27. 4L	
70	269-33701-03	SPRING RETAINER	-	2		
80	22E-33401-03	INTAKE VALVE	10684-	1	28. 5DX5. 5DX67. 8L	
	279-33401-H3	INTAKE VALVE	-10683	1	28. 5DX5. 5DX67. 8L	22E-33401-03
90	22E-33501-03	EXHAUST VALVE	10684-	1	26. 5DX5. 5DX67. 8L	
	279-33501-H3	EXHAUST VALVE	-10683	1	26. 5DX5. 5DX67. 8L	22E-33501-03
95	132-10KA0-31	COLLET-VALVE	-	4		
150	279-35602-H1	TIMING CHAIN CP	-	1	100 LINK	
160	277-36911-03	TENTIONER	-	1		20A-36911-03
163	277-37101-03	SPRING(TENTIONER)	-	1	10DX1. 8DX14L N=4. 5	
166	277-36902-03	PIN(TENTIONER)	-	1	6DX13DX34L	
170	277-36913-13	CHAIN GUIDE	-	1		20A-36913-03
200	277-35004-11	PIN(ROCKER) CP	11018-	1	6DX47L	
	277-35004-01	PIN(ROCKER) CP	-11017	1	6DX47L	277-35004-11
202	003-13050-00	CLIP	-	1	5DX11DX0. 6T	
220	277-36201-00	ROCKER ARM(IN) AY	-	1		
225	277-36202-00	ROCKER ARM(EX) AY	-	1		
230	014-90500-20	ADJUST SCREW	-	1	M5X0. 5X23L	
231	014-90500-20	ADJUST SCREW	-	1	M5X0. 5X23L	
240	017-00500-30	NUT	-	1	M5X0. 5X4. 1H	
241	017-00500-30	NUT	-	1	M5X0. 5X4. 1H	

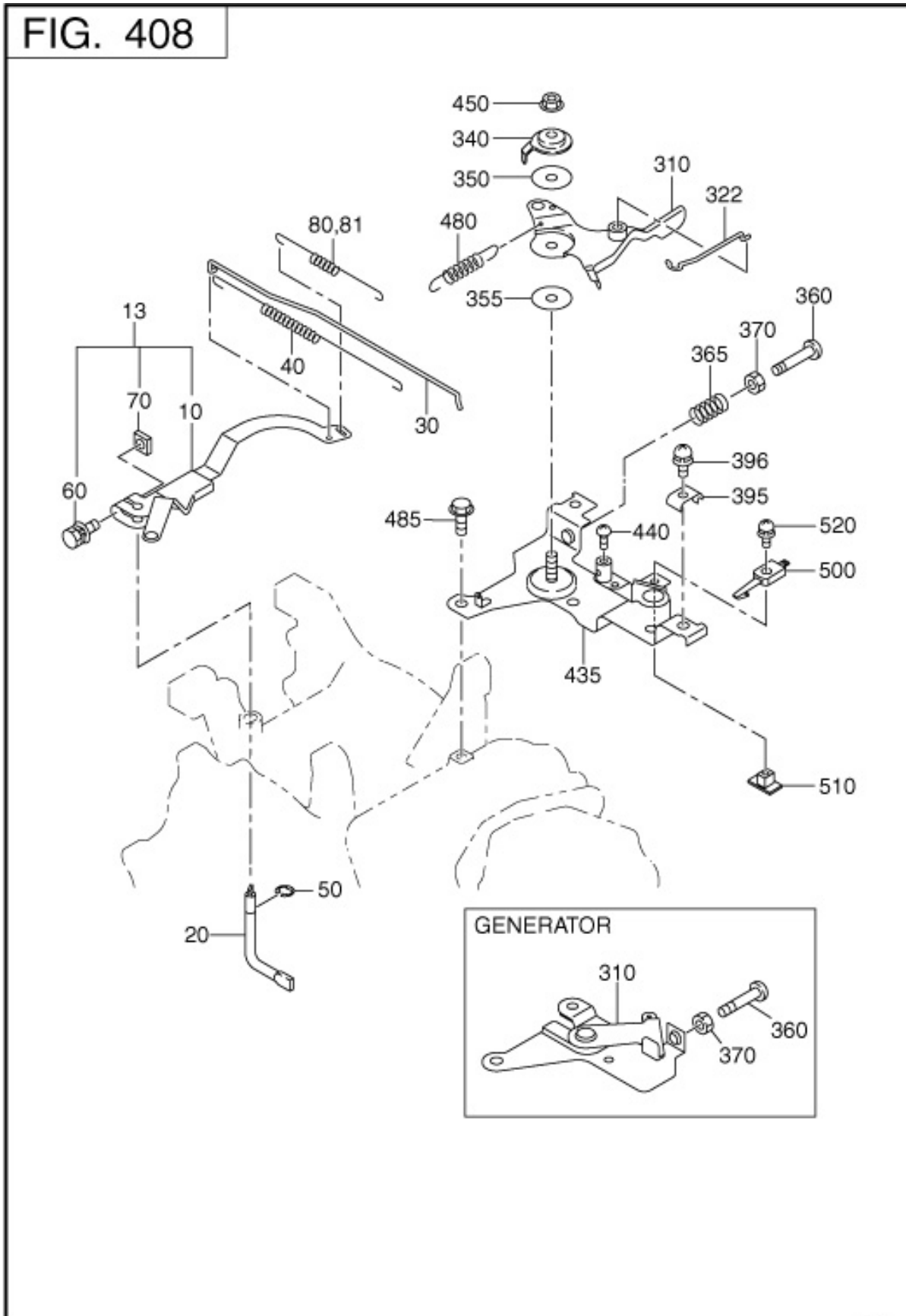
REF.	PART NUMBER	PART NAME	CODE NO.	QTY	REMARKS	INTERCHANGE
290	011-00600-10	FLANGE BOLT	-	1	M6X1.0X14DX8L	
310	279-30101-L1	MUFFLER CP	-	1		
320	279-34201-41	MUFFLER COVER CP	10722-	1		
	279-34201-31	MUFFLER COVER CP	-10721	1		279-34201-41
340	277-35201-13	GASKET(MUFFLER)	-	1	T=0.2 26D 9DX58P	
350	002-38080-00	FLANGE NUT	-	2	M8X1.25X17DX7.5H	
360	015-20600-90	TAPPING BOLT	-	2	M6X13DX10L	
361	011-00600-10	FLANGE BOLT	-	1	M6X1.0X14DX8L	
365	011-00803-20	FLANGE BOLT	-	1	M8X1.25X16DX12L	
387	015-00400-60	TAPPING SCREW	-	2	M4X6L	
440	277-37001-J1	DEFLECTOR CP	-	1	W/SCREEN	
540	279-32902-J1	INSULATOR CP	-	1	W/GASKET	
550	279-35903-J3	GASKET2(INSULATOR)	-	1	T=0.5	
560	279-35902-J3	GASKET1(INSULATOR)	-	1	T=0.5	
570	002-38060-00	FLANGE NUT	-	2	M6X1.0X13DX6H	
580	001-04062-00	FLANGE BOLT	-	1	M6X1.0X13DX20L	
850	279-32760-08	RUBBER PIPE	-	1	8DX11DX115L	

3 INTAKE EXHAUST



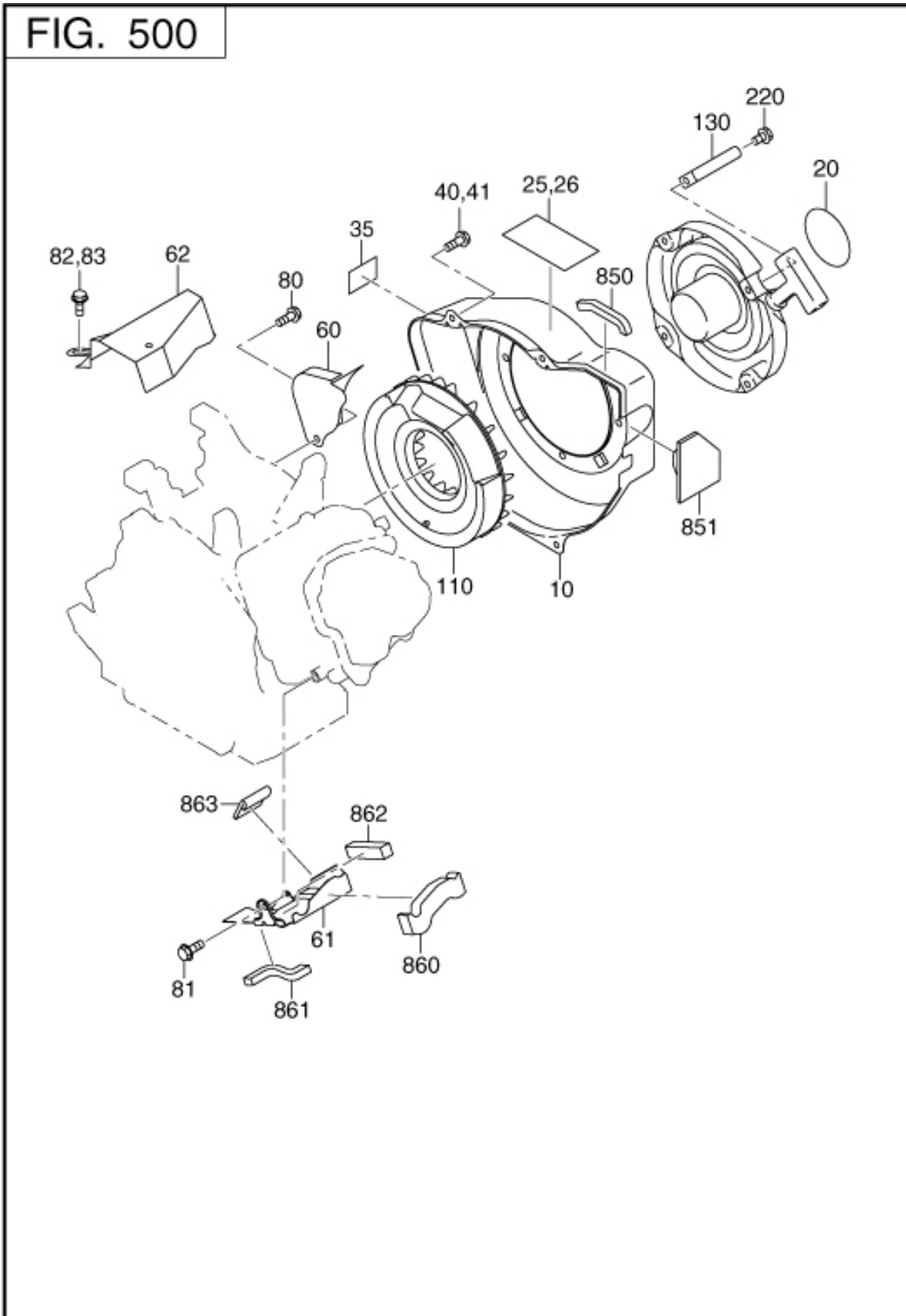
REF.	PART NUMBER	PART NAME	CODE NO.	QTY	REMARKS	INTERCHANGE
510	279-32615-80	AIR CLEANER AY	10684-	1	DUAL	
	279-32615-70	AIR CLEANER AY	-10683	1	DUAL	279-32615-80
-200	279-32634-58	ELBOW COMP,AIR/C	10684-	1		
	279-32634-48	ELBOW COMP,AIR/C	-10683	1		279-32634-58
-210	279-32720-08	PACKING	-	1		
-220	279-32650-18	GASKET	-	1		
-250	279-32643-18	COVER	-	1		
-260	279-32730-08	LABEL	-	1		
-270	279-32740-08	NUT	-	1		
-272	279-32741-08	NUT	-	1		
-520	279-32607-17	ELEMENT SET	-	1	DUAL	

4 GOVERNOR OPERATION



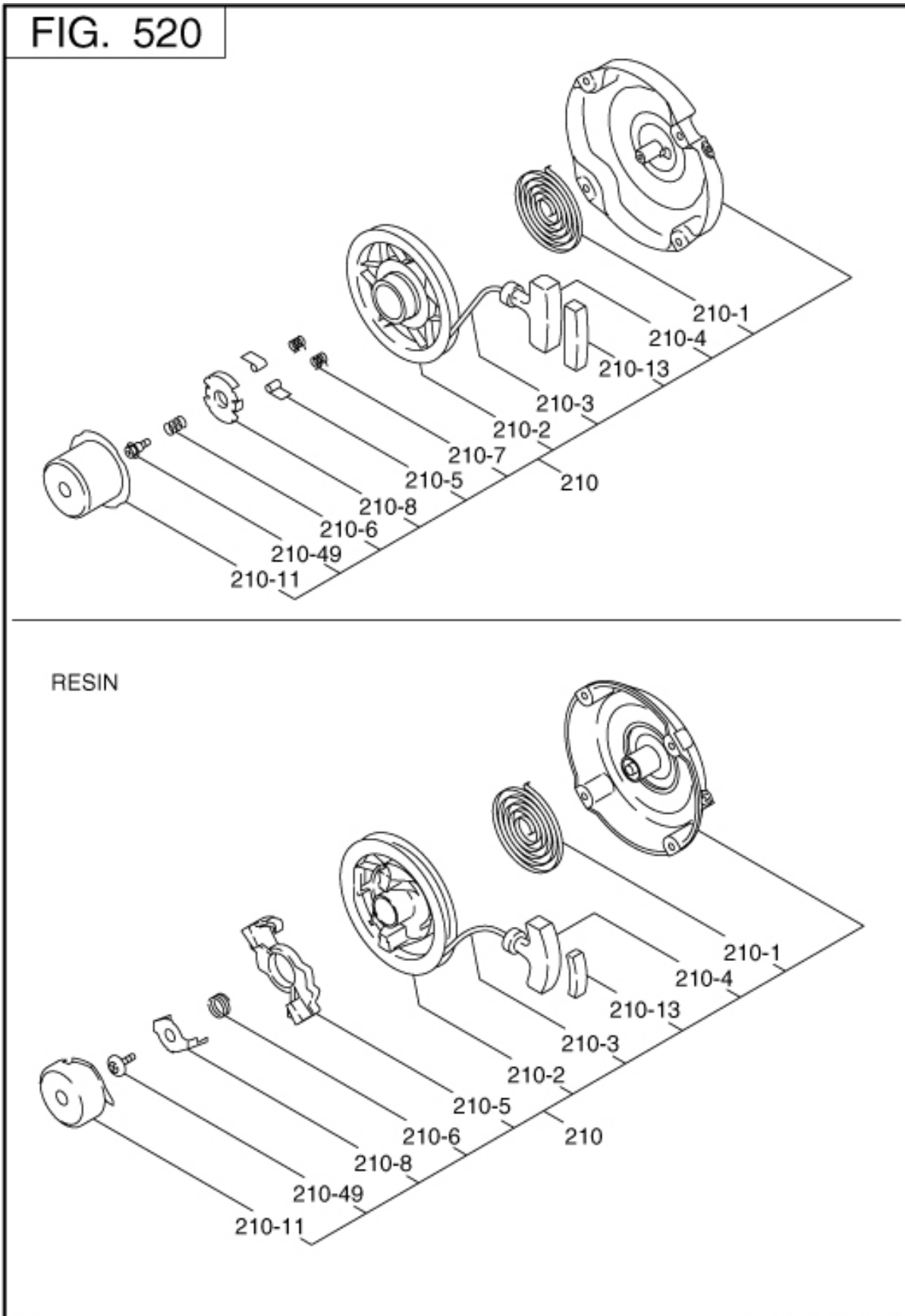
REF.	PART NUMBER	PART NAME	CODE NO.	QTY	REMARKS	INTERCHANGE
13	279-42301-60	GOVERNOR LEVER AY	-	1		
20	277-42201-33	GOVERNOR SHAFT	-	1		
30	279-42701-23	GOVERNOR ROD	-	1		
40	277-42801-23	ROD SPRING	-	1	7DX0. 5DX182L N=16	
50	003-13050-00	CLIP	-	1	5DX11DX0. 6T	
60	001-14062-50	BOLT AND WASHER AY	-	1	M6X1. 0X25L W/W, SW	
70	018-60600-20	NUT	-	1	M6X1. 0X4. 9H SQUARE	
80	279-42502-73	GOVERNOR SPRING	-	1	7. 5DX0. 7DX115L N=19	
310	277-43303-01	SPEED CONT.LEVER CP	-	1	W/SWIVEL	
322	277-43701-01	LINK ROD CP	-	1		
340	277-43502-03	STOP PLATE	-	1		
350	277-44501-03	WASHER	-	1	T=0. 4	
355	021-70600-70	FRICITION WASHER	-	1	6. 5DX24DX0. 8T NYLON	
360	004-31062-50	SCREW,PANHEAD	-	1	M6X1. 0X25L	
365	237-45004-23	SPRING (ADJUST)	-	1	6. 9DX0. 9DX20L N=7	
395	277-43902-03	CLAMP	-	1		
396	013-10500-30	SCREW AND WASHER AY	-	1	M5X0. 8X20L W/W, SW	
435	277-46004-11	SPEED CONT.BRKT CP	-	1		
440	004-31040-80	SCREW	-	1	M4X0. 7X8L	
450	002-35060-00	SELF LOCK NUT	-	1	M6X1. 0X6. 8H	
480	277-45103-03	RETURN SPRING	-	1	7DX0. 7DX28L N=15	
485	011-00600-20	FLANGE BOLT	-	2	M6X1. 0X14DX12L	
500	226-72706-11	STOP SWITCH	-	1		
510	277-49001-11	PLATE NUT(STOP) CP	-	1		
520	004-36041-20	SCREW AND WASHER AY	-	1	M4X0. 7X12L W/W, SW	

5 COOLING,STARTING



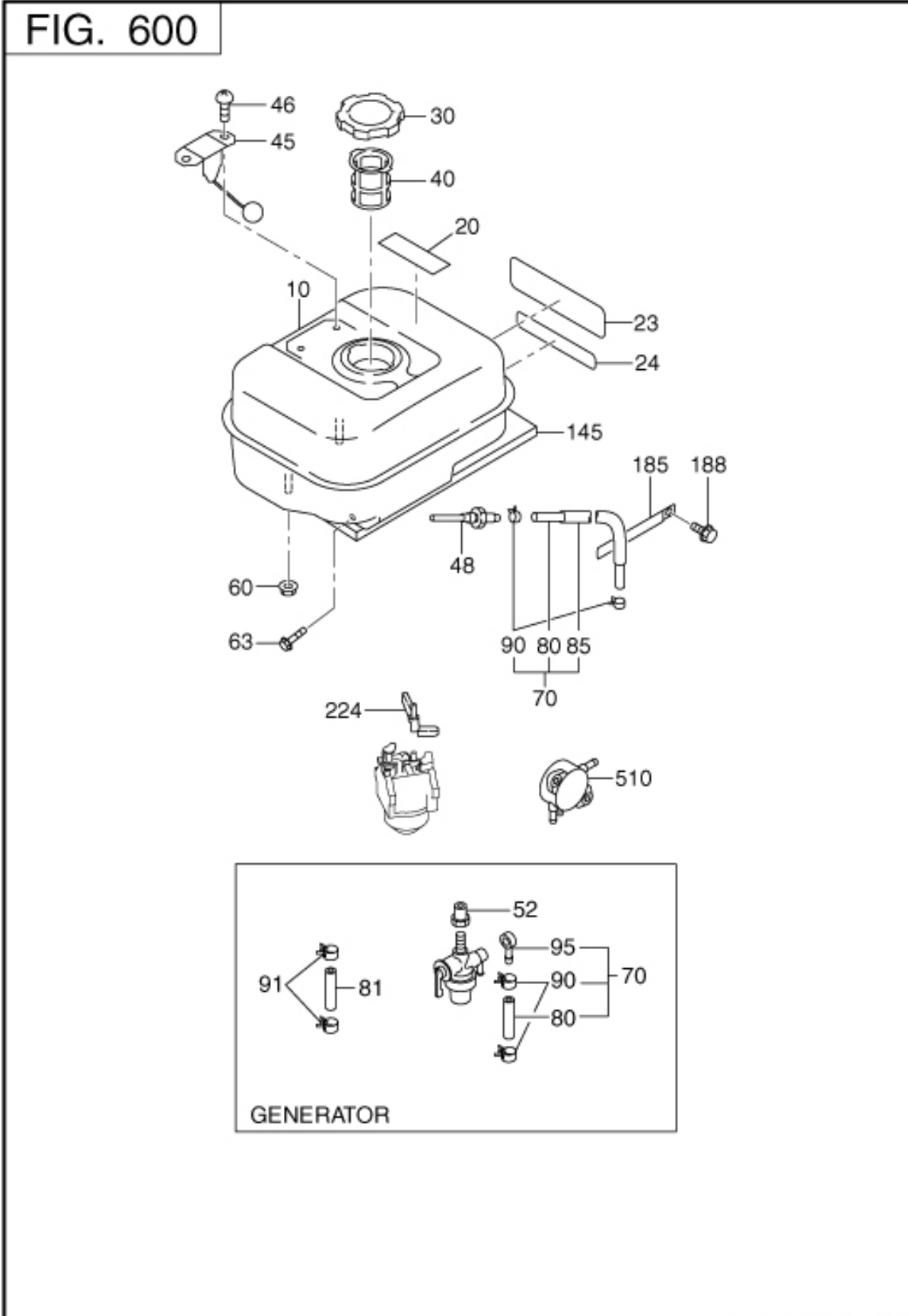
REF.	PART NUMBER	PART NAME	CODE NO.	QTY	REMARKS	INTERCHANGE
10	279-51201-11	BLOWER HOUSING CP	-	1	ROBIN YELLOW	
20	073-20058-21	LABEL(TRADE MARK)	11049-	1	60D	
	073-20058-20	LABEL(TRADE MARK)	-11048	1	60D	073-20058-21
40	011-00600-30	FLANGE BOLT	-	4	M6X1. 0X14DX14L	
60	279-52711-11	BAFFLE 1(CASE) CP	-	1		
61	279-52702-13	BAFFLE 2(HEAD)	-	1		
80	001-65081-20	BOLT	-	1	M8X1. 25X12L	
81	011-00600-20	FLANGE BOLT	-	1	M6X1. 0X14DX12L	
220	013-00602-81	BOLT AND WASHER AY	-	4	M6X1. 0X14L W/W	

5 COOLING,STARTING



REF.	PART NUMBER	PART NAME	CODE NO.	QTY	REMARKS	INTERCHANGE
210	279-50301-30	RECOIL STARTER AY	-	1		
- 1	226-50716-08	SPIRAL SPRING	-	1		
- 2	277-50121-08	REEL	-	1		
- 3	279-50110-08	STARTER ROPE	-	1		
- 4	277-50409-18	STARTER KNOB	-	1		
- 5	281-50325-08	RATCHET	-	1		
- 6	281-50330-08	FRICTION SPRING	-	1		
- 8	281-50340-08	FRICTION PLATE	-	1		
- 11	279-50148-08	STARTER PULLEY	-	1		
- 49	281-50351-08	CENTER SCREW	-	1		

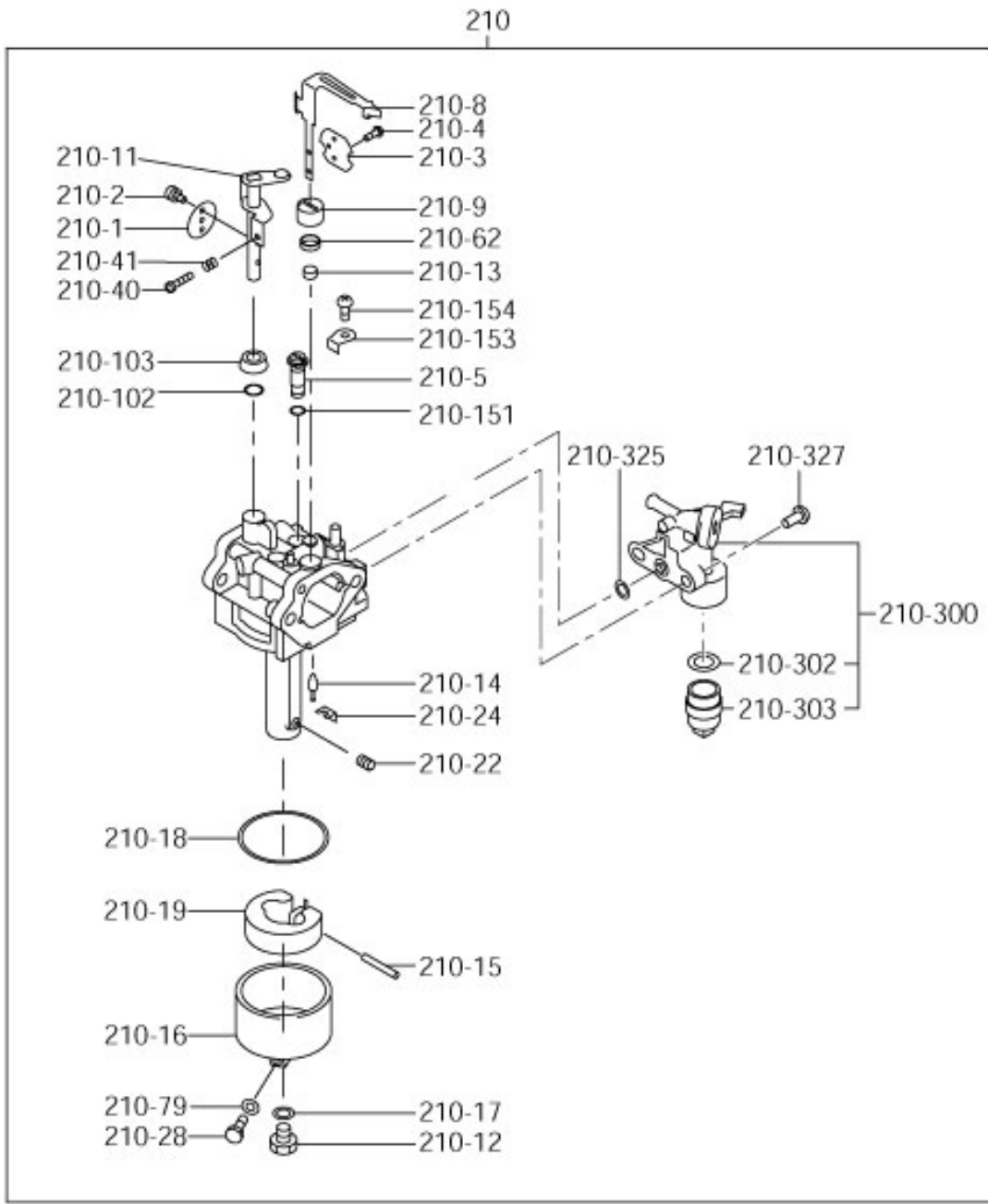
6 FUEL LUBRICANT



REF.	PART NUMBER	PART NAME	CODE NO.	QTY	REMARKS	INTERCHANGE
10	279-60101-21	FUEL TANK CP	-	1	6. 1L ROBIN YELLOW	279-60101-31
20	073-20057-60	LABEL(WARNING)	-	1	38X80	
23	279-95113-03	LABEL(MODEL)	10813-	1	32X125	
	279-95112-13	LABEL(MODEL)	10684-10812	1	32X125	
	279-95112-03	LABEL(MODEL)	-10683	1	32X125	279-95112-13
24	277-96011-03	LABEL(RED OCTOBER)	10334-	1	17X100	
	277-96010-13	LABEL(RED OCTOBER)	-10333	1	15X100	
30	043-04400-50	FUEL TANK CAP CP	-	1	42. 5DX68DX14H	
40	X64-13600-10	FUEL FILTER	-	1	36DX46DX43H	
48	050-51200-20	UNION	-	1	M12X4DX78L W/FILTER	X50-51200-20
60	002-38080-00	FLANGE NUT	-	2	M8X1. 25X17DX7. 5H	
63	011-00802-50	FLANGE BOLT	-	2	M8X1. 25X16DX25L	
70	279-62602-11	FUEL PIPE CP	-	1	6. 35DX12. 7DX195L EVP	
80	X85-10615-81	RUBBER PIPE	10653-	1	6. 4DX12. 7DX195L	
	22E-08101-00	RUBBER PIPE	10361-10652	1	6X12. 7X195L	
	X85-10615-81	RUBBER PIPE	-10360	1	6. 4DX12. 7DX195L	
90	X56-11100-60	HOSE CLAMP	-	2	11. 5DX8BX0. 7T	
224	277-43801-01	CHOKE LEVER CP	-	1		

6 FUEL LUBRICANT

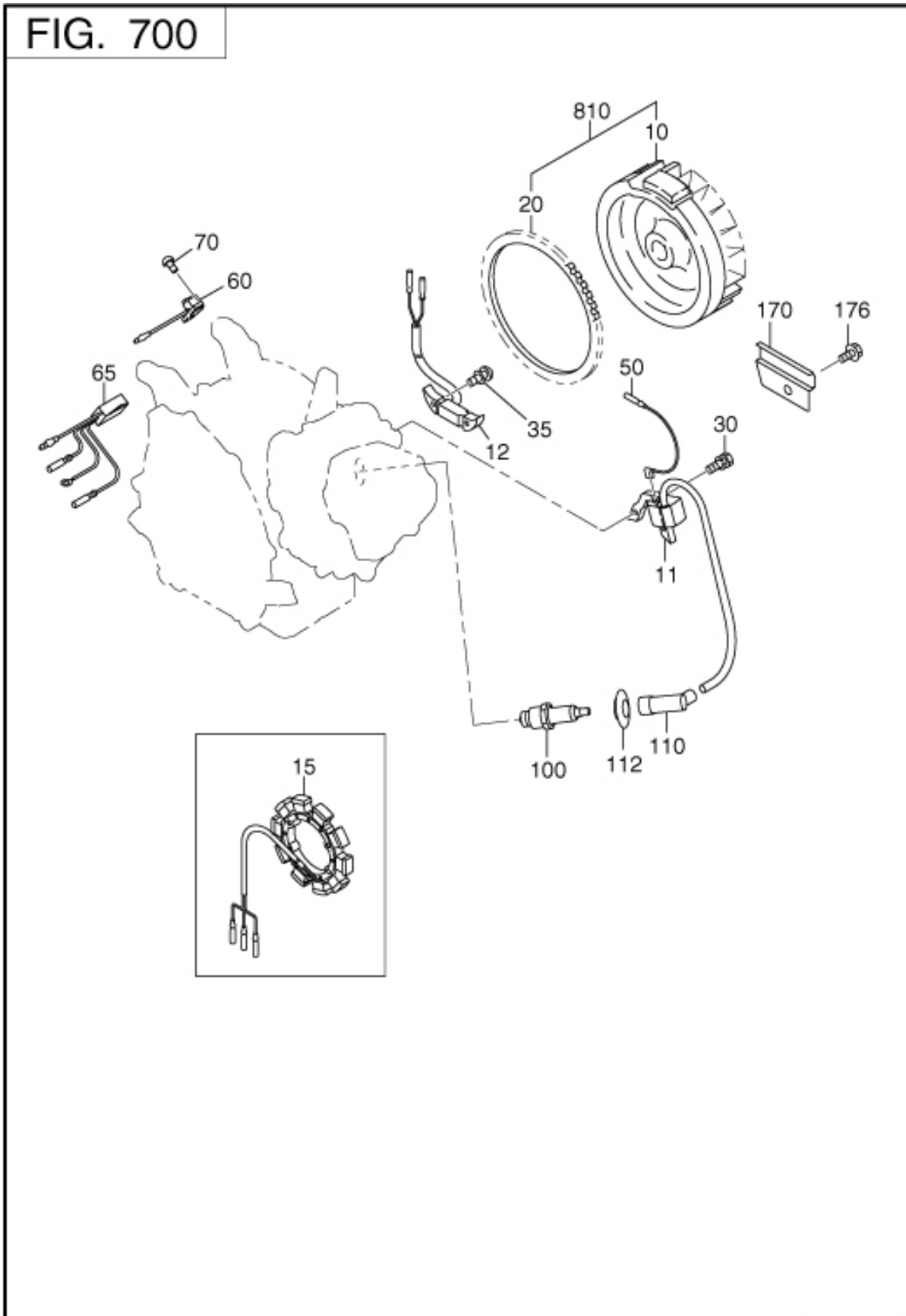
FIG. 641



REF.	PART NUMBER	PART NAME	CODE NO.	QTY	REMARKS	INTERCHANGE
210	279-62362-30	CARBURETOR AY	10624-	1		
	279-62362-20	CARBURETOR AY	-10623	1		279-62362-30
- 1	279-62536-08	THROTTLE VALVE	-	1	#150	
- 2	209-62351-08	SCREW	-	1		
- 3	279-62527-08	CHOKE VALVE	-	1		
- 5	279-62421-08	PILOT JET	-	1	#40	
- 8	279-62522-08	CHOKE LEVER	-	1		
- 11	279-62533-08	THROTTLE SHAFT-A	-	1		
- 12	150-62358-08	BOLT	-	1		
- 14	224-62305-08	NEEDLE VALVE	-	1		
- 15	214-62515-08	PIN	-	1		
- 16	279-62506-08	FLOAT BODY-A	-	1		
- 17	207-62345-08	INSERT WASHER	-	1		
- 18	206-62540-08	PACKING	-	1		
- 19	234-62506-08	FLOAT-A	-	1		
- 22	279-62407-08	MAIN JET	-	1	#90	
- 24	226-62701-18	CLIP	-	1		
- 28	279-62361-08	BOLT	-	1		
- 40	106-62556-08	SCREW	-	1		
- 41	283-62357-08	SPRING(CO)	-	1		
- 79	279-62541-08	WASHER	-	1		
-102	246-62390-08	SEAL	-	1		
-103	279-62551-08	RING	-	1		
-151	106-62384-08	O-RING	-	1		
-153	279-62360-08	PLATE	-	1		
-154	279-62351-08	SCREW	-	1		
-300	279-62103-30	FUEL STRAINER AY	10624-	1		
	279-62103-20	COCK BODY-A	-10623	1		279-62103-30
-302	277-62110-18	PACKING	-	1		
-303	277-62100-18	CUP	-	1		

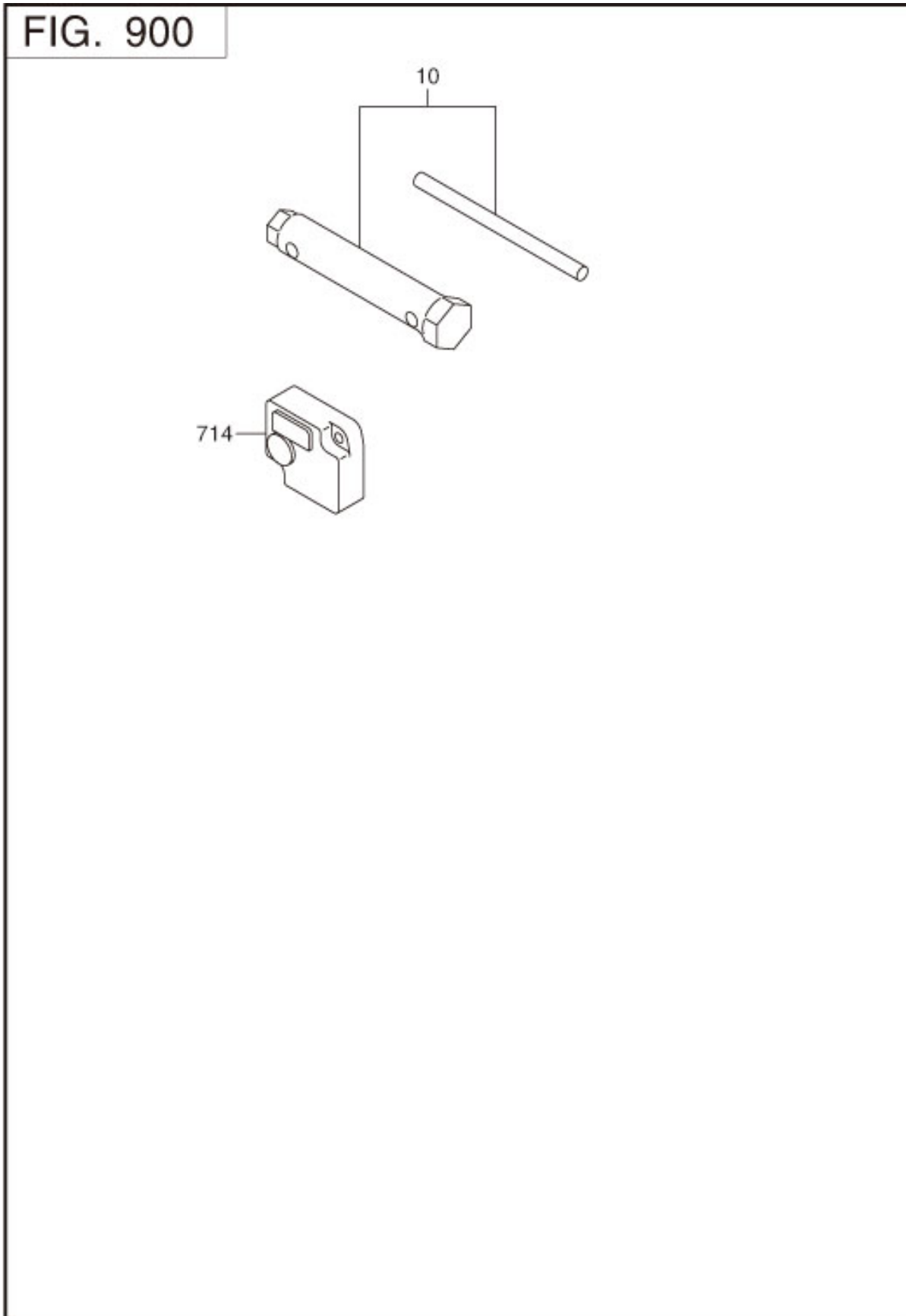
REF.	PART NUMBER	PART NAME	CODE NO.	QTY	REMARKS	INTERCHANGE
-325	277-62552-08	O-RING	10624-	1		
-327	165-62377-08	SCREW	10624-	2		

7 ELECTRIC DEVICE



REF.	PART NUMBER	PART NAME	CODE NO.	QTY	REMARKS	INTERCHANGE
10	279-79230-21	FLYWHEEL CP	-	1	MARK FA APO2	
11	279-79430-11	IGNITION COIL CP	-	1	MARK AB	
30	001-04062-00	FLANGE BOLT	-	2	M6X1.0X13DX20L	
50	277-73110-21	WIRE 10 CP	-	1	L=360 BLACK	
60	066-00004-91	SWITCH AY	-	1		X66-00005-30
70	015-00400-90	TAPPING SCREW	-	2	M4X9.5L	
100	X65-01430-50	SPARK PLUG	-	1	TORCH E6RC	
110	X65-50002-71	SPARK PLUG CAP	10613-	1		
	X65-50002-70	SPARK PLUG CAP	-10612	1		X65-50002-71

9 ACCESSORIES LABEL



REF.	PART NUMBER	PART NAME	CODE NO.	QTY	REMARKS	INTERCHANGE
10	277-90301-J0	ACCESSORY TOOL KIT	-	1		